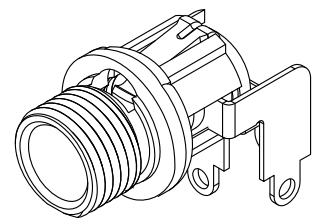
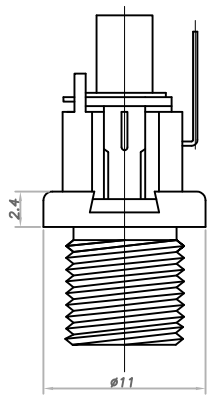


REV. LTR.	DESCRIPTION	SIGN	DATE



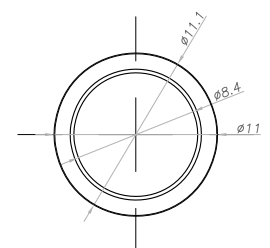
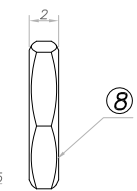
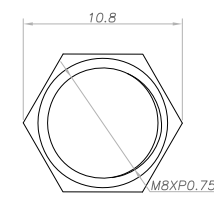
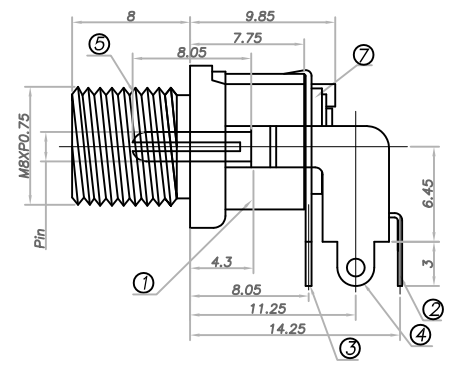
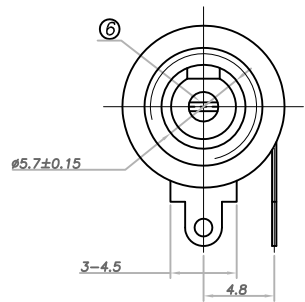
Model NO.	DC0125M-A	DC0125M-B
Schematic		

□: TERMINAL NO.

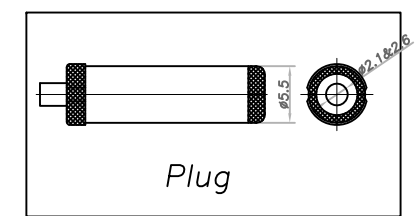
Ordering information:

DC0125M-□ □  
 ① ② ③

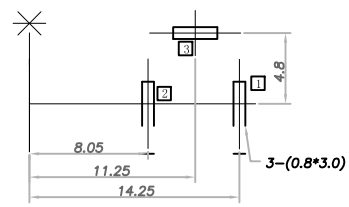
- ①: Series No
- ②: Schematic option: A B
- ③: Center pin diameter:  
H: 2.0 J: 2.5



彈性墊片



Plug



P. C. B Layout  
(Solder side view)

**SPECIFICATION**  
 1. Rating : 30V 3.0A;  
 2. Contact resistance: ≤30mΩ;  
 3. Insulation resistance: ≥100MΩ (DC250V);  
 4. Withstand voltage: 500VAC ;  
 5. Insertion and extraction force: 3-30N;  
 6. life test: 5,000 cycles.

UNLESS OTHERWISE SPECIFIED TOLERANCES ARE: × ±0.30 ×× ±0.20 ××× ±0.10 ×* ±3.0° ××* ±2.0° ×××* ±1.0°	UNIT: MM	TYPE: DC POWER JACK	MODEL NO: DC0125M- _ _	PAPER NO: A4	PAGE 1 OF 1	
				TOLERANCE ±0.3	ANGLES ±2°	SCALE FULL
DESIGNER BY: Zhuhong 2009/07/08			丞永實業有限公司 BLUE SOURCES ELECTRONICS CO,LTD.			
CHECK BY:						
APPROVED BY:						